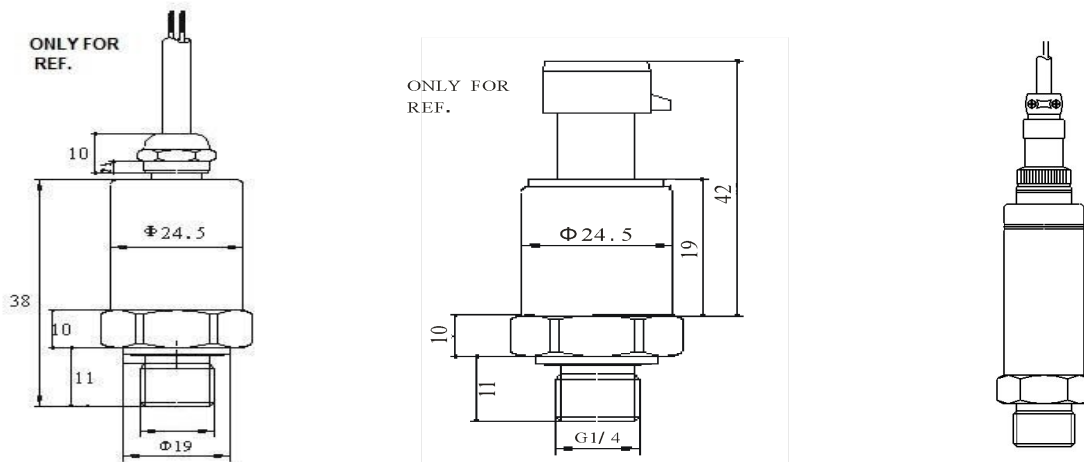


DD 80mA Pressure Transmitter

DD 4-20mA – M12 ¼ Pressure Transducer

Dimension and installation



Technical parameters

Supply power	12-24V DC
Output	4-20mA
Pressure Range	0 – 10 Bar

Electrical Connection

5m Cable Included	
Brown Wire	24VDC
White Wire	Current output

Safety Warnings - Precautions

- Do not touch diaphragm
- Only tighten Hexagon, not housing
- Tighten Hexagon before connecting cable

Specifications

Conformity	CE EN61326 / EN 61326-1 / EN61326 -2 -2
Material	Stainless Steel
Accuracy	0.5% F.S
Temperature Range	-15 ... +125 ° C
Response time	< 2 ms, (1 ms typical)

DRIVE DYNAMICS (PTY) LTD

Unit 3 + 4 Stuart 2 Business Park, 4 Hilda Avenue Hennospark Centurion 0046
+ (27) 12 653 0080 / + (27) 83 4424 789

sales@drivedynamics.co.za

www.drivedynamics.co.za