

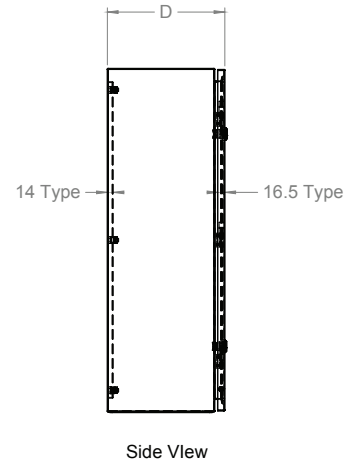
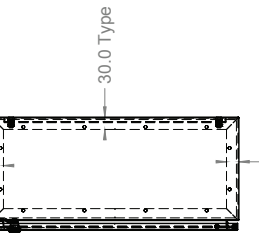
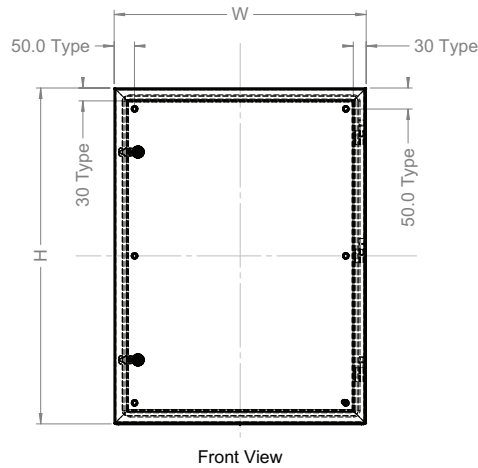
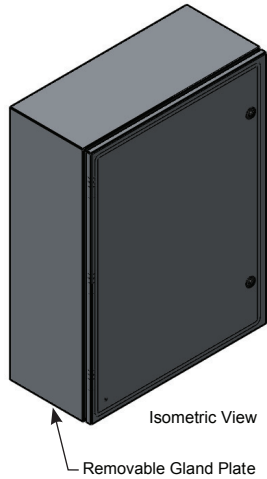


# Technical Specifications

## HE Series - Sheet Metal Enclosures

### Technical Information:

**Degree of protection:** IP65 (*continuous foam gasket*)  
**Chassis thickness:** 2 mm  
**Latch type:** Quarter-turn or 3 point  
**Door:** Single



### Sheet metal enclosures

type	dimensions (mm)			IP rating	colour	Ral	mounting type
	(H)	(W)	(D)				
HE200	250	200	170	IP65	orange	2000	wall mount
HE201	350	250	170	IP65	orange	2000	wall mount
HE202	450	300	220	IP65	orange	2000	wall mount
HE203	550	400	220	IP65	orange	2000	wall mount
HE204	650	450	270	IP65	orange	2000	wall mount
HE205	750	550	270	IP65	orange	2000	wall mount
HE206	850	600	270	IP65	orange	2000	wall mount
HE206E	850	600	330	IP65	orange	2000	wall mount
HE207	950	700	270	IP65	orange	2000	wall mount
HE207E	950	700	330	IP65	orange	2000	wall mount
HE208	1150	850	270	IP65	orange	2000	wall mount
HE208E	1150	850	330	IP65	orange	2000	wall mount
HE200-G	250	200	170	IP65	grey	7032	wall mount
HE201-G	350	250	170	IP65	grey	7032	wall mount
HE202-G	450	300	220	IP65	grey	7032	wall mount
HE203-G	550	400	220	IP65	grey	7032	wall mount
HE204-G	650	450	270	IP65	grey	7032	wall mount
HE205-G	750	550	270	IP65	grey	7032	wall mount
HE206-G	850	600	270	IP65	grey	7032	wall mount
HE206E-G	850	600	330	IP65	grey	7032	wall mount
HE207-G	950	700	270	IP65	grey	7032	wall mount
HE207E-G	950	700	330	IP65	grey	7032	wall mount
HE208-G	1150	850	270	IP65	grey	7032	wall mount
HE208E-G	1150	850	330	IP65	grey	7032	wall mount

### Part number breakdown:

