



C144 - 340Wp & 365Wp

GALACTIC

DESERV C144 Series is offered with power ratings of 340 Wp & 365Wp (PERC Module).

These high performance Galactic-2 Series, Multi-Crystalline Silicon Modules are designed for on-grid, as well as off-grid applications.

KEY FEATURES



Made in India



Positive power tolerance



Highly reliable anti-reflective coated glass



Windspeed - 2400 Pa
Snowload - 5400 Pa



IP67 Junction box



1000 V Vdc



PID resistant



25
YEARS

Limited power output warranty

10
YEARS

Product warranty



Independently Audited by

SOLARBUYER



CONSERV®
E 360 - POE
Encapsulant



Registered Office

Unit 4, Stuart 2 Business Park, 4 Hilda Avenue,
Hennospark, Centurion, 0046

sales@drivedynamics.co.za | drivedynamics.co.za

**PERFORMANCE UNDER STANDARD TEST CONDITIONS
(1000W/M² AM 1.5, 25°C)**

	DESERV C144-340	DESERV C144-365
Rated power (Pmax), Wp	340	365
Max power voltage (Vmp), V	37.65	38.97
Max power current (Imp), A	9.05	9.43
Open circuit voltage (Voc), V	45.80	46.50
Short circuit current (Isc), A	9.54	9.86
Module efficiency (%)	17.22	18.48

Operating Conditions

Ambient temperature, °C	-40 to + 85
Maximum system voltage, Vdc	1000
Hail impact velocity, m/sec	23
Maximum surface load capacity, Pascals	5400

Cell Temperature Coefficients

Open circuit voltage	- 0.308 % / °C	- 0.32 % / °C
Short circuit current	+ 0.057 % / °C	+ 0.05 % / °C
Nominal power	- 0.406 % / °C	- 0.37 % / °C

Physical Parameters

No. of cells	144
Module dimensions (mm)	1021X1934
Module thickness (mm)	40
Approximate weight (kg)	21.5

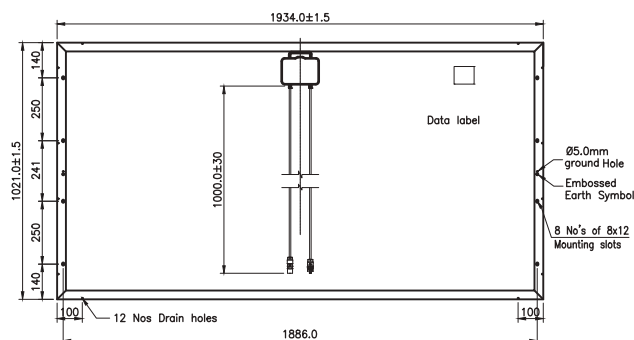
Mechanical Characteristics

Cable	NO. 12 AWG, 4mm ²
PV connectors	MC4/MC4 (Compatible)/TYCO
Frame	Silver Anodized Aluminum Alloy
Junction box	IP67 Junction Box with 4 Rail/Split Junction Box with 3 bypass diodes
Glass	3.2mm Thick Low Iron Tempered

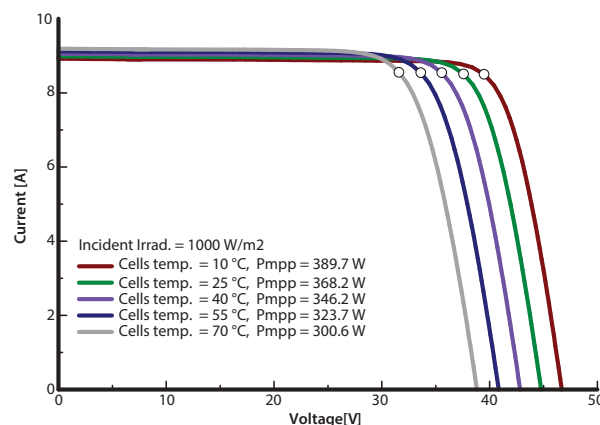
NOCT

	DESERV C144-340	DESERV C144-365
Rated power (Pmax), Wp	253.04	271.64
Max power voltage (Vmp), V	34.43	35.64
Max power current (Imp), A	7.37	7.68
Open circuit voltage (Voc), V	42.59	43.24
Short circuit current (Isc), A	7.79	8.06

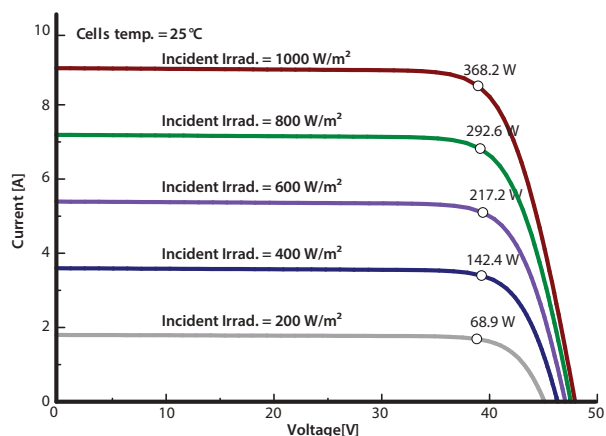
144 Cells PV Solar Module Dimensions



DESERV C144 Galactic-2: PV Modules



DESERV C144 Galactic-2 PV modules



Registered Office

Unit 4, Stuart 2 Business Park, 4 Hilda Avenue, Hennospark, Centurion, 0046

sales@drivedynamics.co.za